



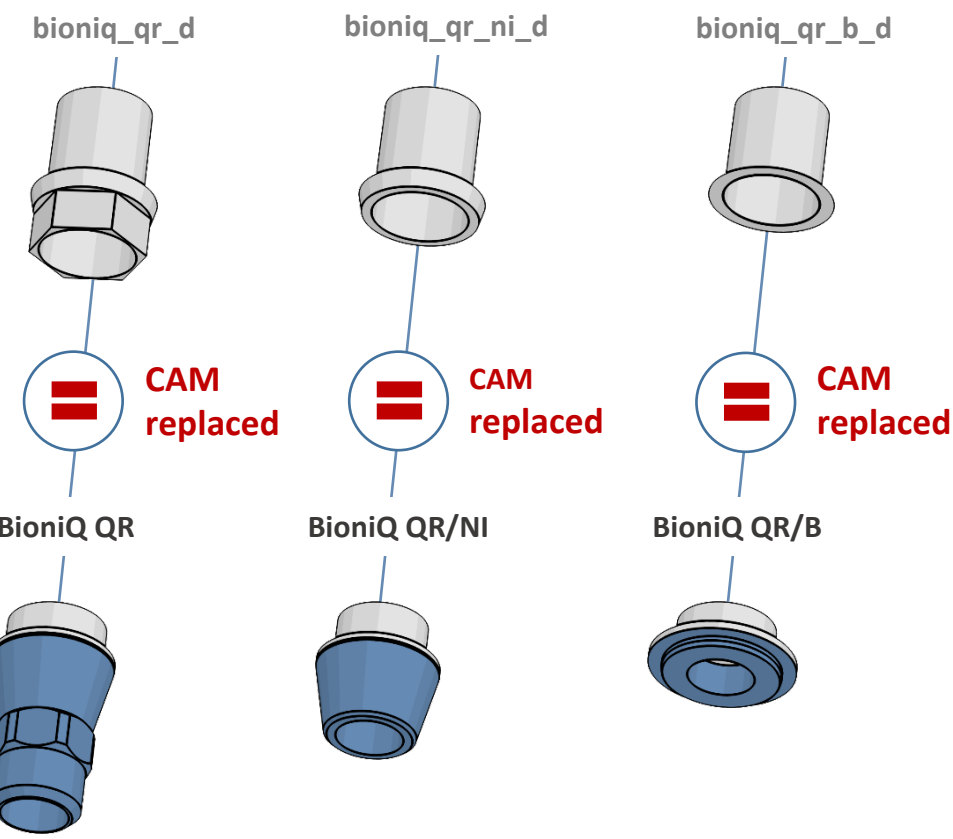
exocad

LASAK BioniQ QR Exocad library structure

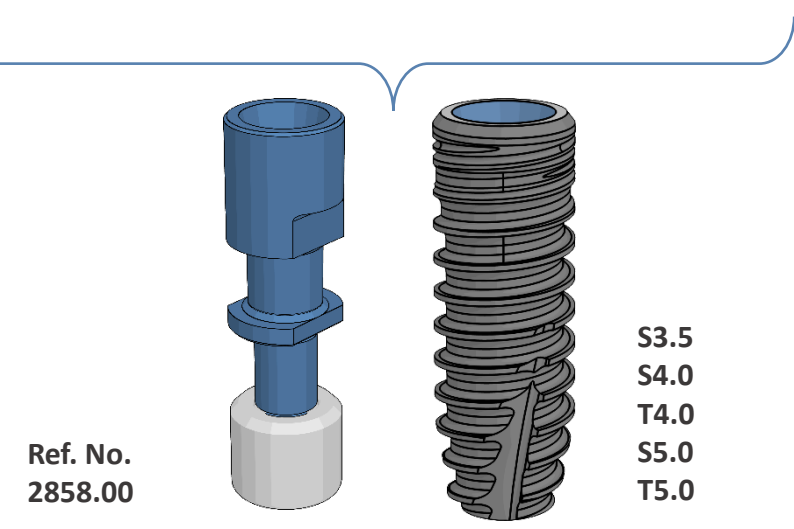
Scan Analog QR, BioniQ, reverse technique
Ref. No. 2884.00



Dummy base shown
in the Exocad library



The real base of the
BioniQ component



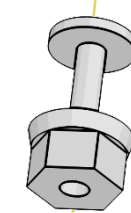
LASAK BioniQ QN Exocad library structure

Scan Analog QN, BioniQ, reverse technique
Ref. No. 2883.00



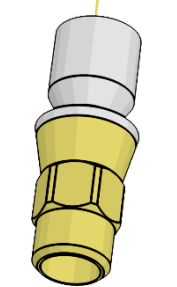
Dummy base shown
in the Exocad library

bioniq_qn_d



CAM replaced

BioniQ QN



bioniq_qn_ni_d



CAM replaced

BioniQ QN/NI

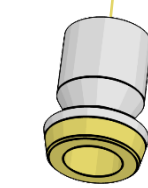


bioniq_qn_b_d

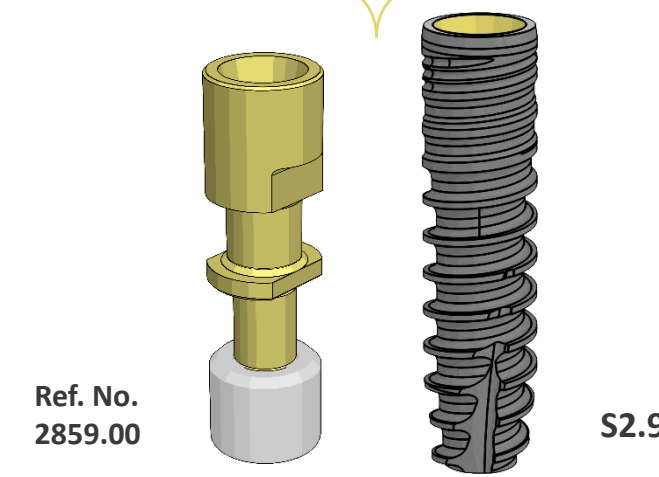


CAM replaced

BioniQ QN/B



The real base of the
BioniQ component



Ref. No.
2859.00

S2.9